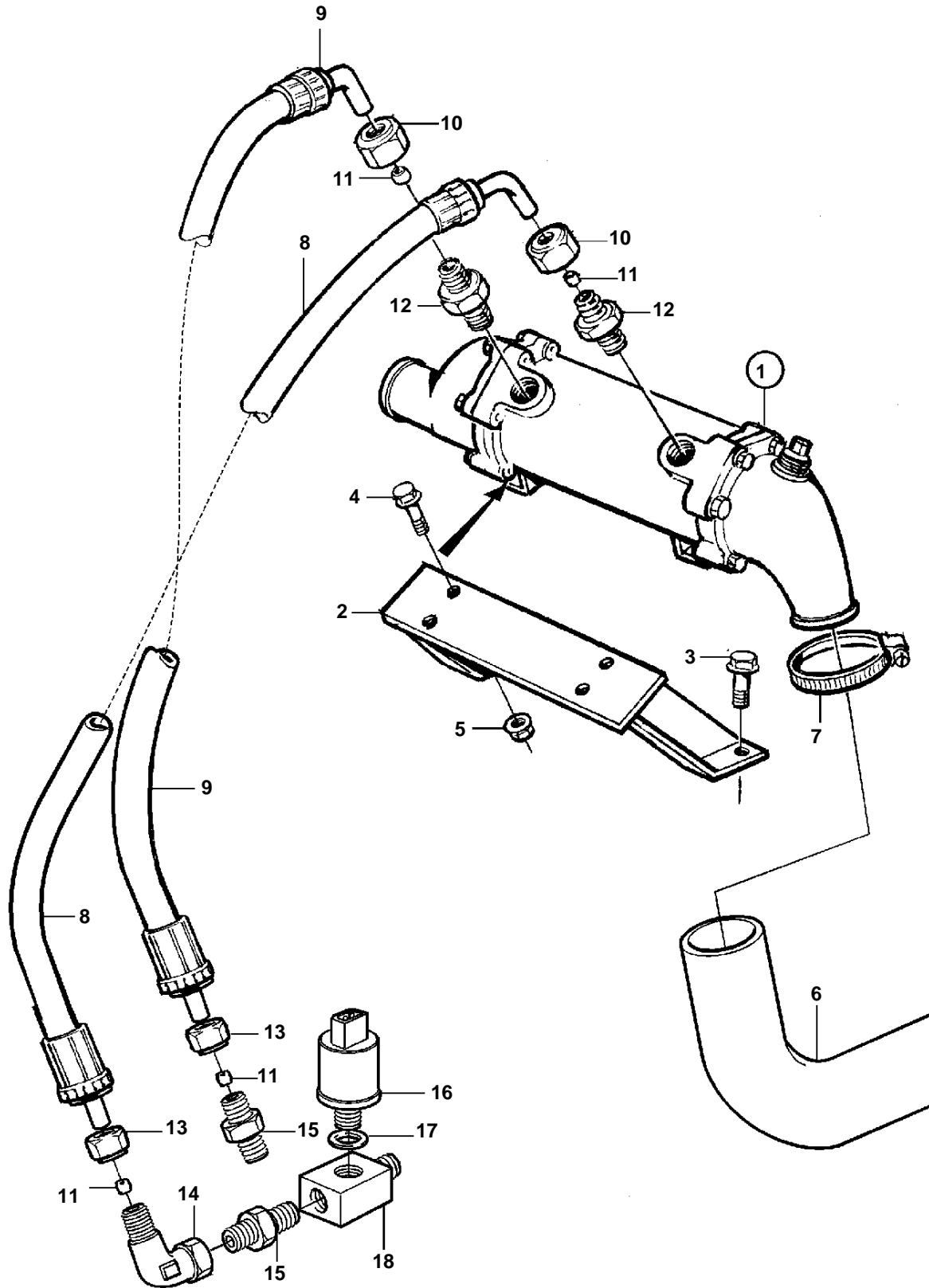


TAMD73P-A



17161

TAMD73P-A

REF	PART NO.	QTY	DESCRIPTION	SEE SEC.	NOTES
1		1	Oil cooler		
				772	
2	848098	1	Bracket		
3	965191	2	Screw		
4	955297	4	Screw		
5	948645	4	Lock nut		
6	866218	1	Hose		
7	961672	1	Clamp		
8	847165	1	Hose		L=580mm
9	837935	1	Hose		L=460mm
10	941331	2	Nut		
11	1677898	4	Ferrule		(956970)
12	968132	2	Nipple		
13	956984	2	Nut		
14	964016	1	Nipple		
15	941750	2	Nipple		
16	866839	1	Pressure sensor		SEE GROUP 30,0-30 bar
17		1	Gasket		SEE GROUP 30
18	842425	1	Nipple		